

## Awnings from Griesser. Opal®



max. 6500 mm, single awning  
max. 12000 mm, connected systems



max. 4000 mm

**Cassette awning**



The Opal® cassette awning fulfils various requirements with one compact and universally applicable solution. Thanks to the perfect all-round protection, the awning fabric is protected from wind, rain and snow and will continue to look good for years to come. The low cassette height of only 145 mm gives the awning an elegant and compact appearance when closed.



**Option**

*Opal® Lux*

Opal® is available with the option of integrated lighting in the bottom of the cassette. The economical low volt technology provides an all-year-round lighting system. Because the spotlights can be angled individually, they can create a pleasant atmosphere when viewed from both the outside and indoors.



## Convincing technology

### Arm parts

Drop-forged arm parts ensure longevity and smooth operation.



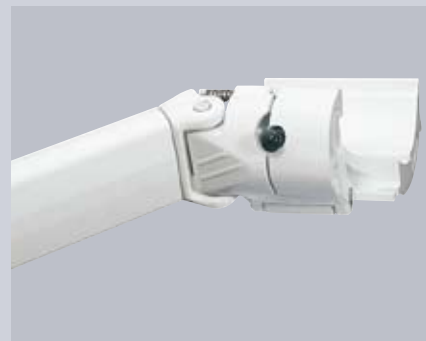
### Round steel link chain

The round steel link chain in the middle hinge ensures that the arm and cloth are perfectly tensioned.



### Wind safety locking mechanism

Prevents the awning from being caught and blown up by winds.



### Incline adjustment

The incline can be easily adjusted when the tilting slide is open. The cassette itself is securely locked.



## Opal®: Limit dimensions and number of brackets

| Width in mm                               | Number of arms | Length of arm in mm       |                           |                           |                           |                           |                           |
|---|----------------|---------------------------|---------------------------|---------------------------|---------------------------|---------------------------|---------------------------|
|   |                | 1500<br>(min. width 1870) | 2000<br>(min. width 2370) | 2500<br>(min. width 2870) | 3000<br>(min. width 3370) | 3500<br>(min. width 3870) | 4000<br>(min. width 4370) |
| Single awning                             |                |                           |                           |                           |                           |                           |                           |
| 1870 - 2000                               | 2              | 2                         |                           |                           |                           |                           |                           |
| 2001 - 2500                               | 2              | 2                         | 2                         |                           |                           |                           |                           |
| 2501 - 3000                               | 2              | 2                         | 2                         | 2                         |                           |                           |                           |
| 3001 - 3500                               | 2              | 2                         | 2                         | 2                         | 2                         |                           |                           |
| 3501 - 4000                               | 2              | 2                         | 2                         | 2                         | 2                         | 2                         | 3 <sup>1</sup>            |
| 4001 - 5000                               | 2              | 3                         | 3                         | 3                         | 3                         | 3                         | 3 <sup>1</sup>            |
| 5001 - 6500                               | 2              | 3                         | 3                         | 3                         | 3                         | 3 <sup>1</sup>            |                           |
| Connected systems (min. width on request) |                |                           |                           |                           |                           |                           |                           |
| 6501 - 7000                               | 4              | 4                         | 4                         | 4                         |                           |                           |                           |
| 7001 - 8000                               | 4              | 4                         | 4                         | 4                         | 4                         |                           |                           |
| 8001 - 10500                              | 4              | 6                         | 6                         | 6                         | 6                         | 6                         | 6 <sup>1</sup>            |
| 10501 - 12000                             | 4              | 6                         | 6                         | 6                         | 6                         | 6 <sup>1</sup>            |                           |

## Opal® Lux: Limit dimensions and number of brackets

| Width in mm                               | Number of arms | Number of lamps | Transformers | Length of arm in mm       |                           |                           |                           |                           |                           |
|---|----------------|-----------------|--------------|---------------------------|---------------------------|---------------------------|---------------------------|---------------------------|---------------------------|
|   |                |                 |              | 1500<br>(min. width 2310) | 2000<br>(min. width 2810) | 2500<br>(min. width 3310) | 3000<br>(min. width 3810) | 3500<br>(min. width 4310) | 4000<br>(min. width 4810) |
| Single awning                             |                |                 |              |                           |                           |                           |                           |                           |                           |
| 2310 - 2500                               | 2              | 4               | 2            | 2                         |                           |                           |                           |                           |                           |
| 2501 - 3000                               | 2              | 5               | 2            | 2                         | 2                         |                           |                           |                           |                           |
| 3001 - 3500                               | 2              | 5               | 2            | 2                         | 2                         | 2                         |                           |                           |                           |
| 3501 - 4000                               | 2              | 6               | 2            | 2                         | 2                         | 2                         | 2                         |                           | 3 <sup>1</sup>            |
| 4001 - 4500                               | 2              | 6               | 2            | 3                         | 3                         | 3                         | 3                         | 3                         | 3 <sup>1</sup>            |
| 4501 - 5000                               | 2              | 7               | 3            | 3                         | 3                         | 3                         | 3                         | 3                         | 3 <sup>1</sup>            |
| 5001 - 5500                               | 2              | 7               | 3            | 3                         | 3                         | 3                         | 3                         | 3 <sup>1</sup>            | 3 <sup>1</sup>            |
| 5501 - 6500                               | 2              | 8               | 3            | 3                         | 3                         | 3                         | 3                         | 3 <sup>1</sup>            |                           |
| Connected systems (min. width on request) |                |                 |              |                           |                           |                           |                           |                           |                           |
| 6501 - 7000                               | 4              | 10              | 4            | 4                         | 4                         | 4                         |                           |                           |                           |
| 7001 - 7500                               | 4              | 12              | 4            | 4                         | 4                         | 4                         |                           |                           |                           |
| 7501 - 8000                               | 4              | 12              | 4            | 4                         | 4                         | 4                         | 4                         |                           |                           |
| 8001 - 9000                               | 4              | 12              | 4            | 6                         | 6                         | 6                         | 6                         | 6                         |                           |
| 9001 - 10500                              | 4              | 14              | 5            | 6                         | 6                         | 6                         | 6                         | 6                         | 6 <sup>1</sup>            |
| 10501 - 11000                             | 4              | 14              | 5            | 6                         | 6                         | 6                         | 6                         | 6 <sup>1</sup>            | 6 <sup>1</sup>            |
| 11001 - 12000                             | 4              | 16              | 6            | 6                         | 6                         | 6                         | 6                         | 6 <sup>1</sup>            | 6 <sup>1</sup>            |

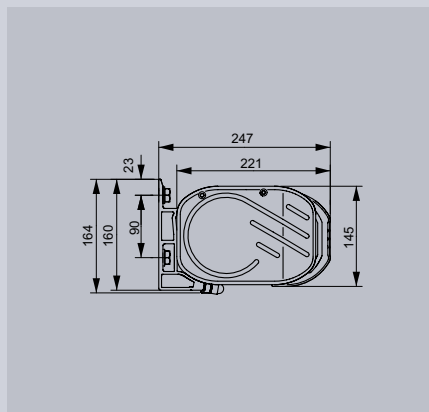
### Key

**1 = reinforced wall-mounted brackets**

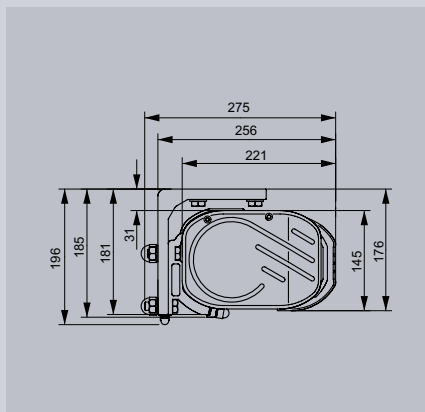
**Warning: only symmetrical systems available.**

The technology used means that the effective material width may deviate from the awning width depending on the drive used.

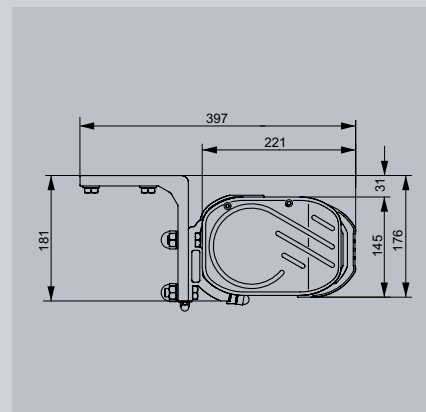
### Installation



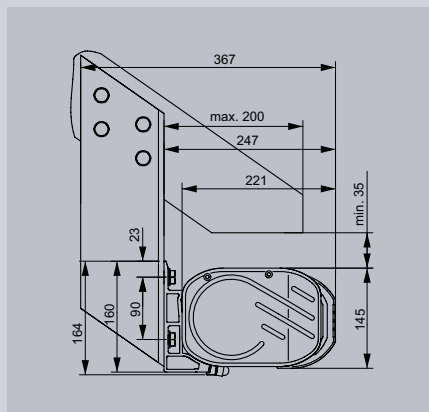
Wall installation



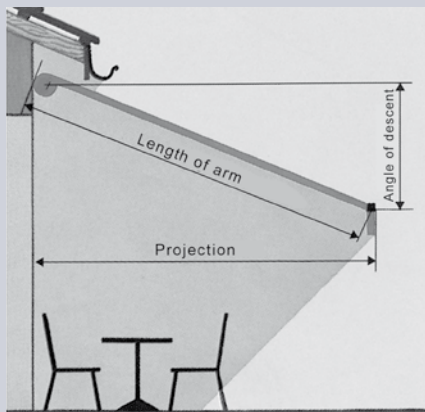
Ceiling installation, bracket forwards



Ceiling installation, bracket backwards



Rafter installation



**Materials and solar shading factor**

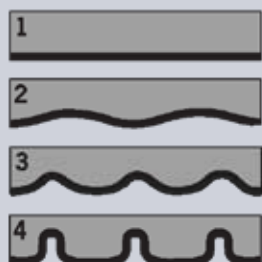
*Collection Moments*

The Griesser acrylic fabrics fit in perfectly with the latest color trends and are divided into eight color worlds. Customers will always find the right awning fabric to suit their every whim. All materials in the Moments Collection, developed in collaboration with the traditional Italian cloth manufacturer Parà, use the latest nanotechnology to produce dirt- and water-repellent characteristics. As well as creating a good mood, the sun also however emits dangerous UV rays. Griesser only uses materials which provide an optimum protection of UPF 30+.



*Four valance designs to choose from.*

The valance finishes off the awning and lends it an air of individual charm.



*Valance bindings*

Griesser also provides bindings in a wide range of colors to suit every fabric design.



**The automatic choice.**

With the radio-controlled Griesser Remoto® hand-held transmitter, you can operate your awning from the comfort of your deck chair. There's a good reason why quality comes automatically to Griesser blinds and rolling shutters.



## Design description

### *Awning system*

Flat cassette awning with pivoted folding arm technology and round steel link chain in middle hinge. Pivoted joint with integrated wind safety locking mechanism and incline adjustment (continuously from 5 to 40 degrees). Cassette and front bar made from extruded aluminum. Folding parts made from drop-forged aluminum. Axle made from galvanized sheet steel, awning fabric made from acrylic fibers.

### *Options (for an additional charge)*

- Valance in 4 standard designs.
- Opal® Lux with integrated lighting in the bottom of the cassette.

## Colors

### *Basic*

Aluminum (RAL 9006/VSR 140) or white (RAL 9016).

### *GriColors (for an additional charge)*

The GriColors range includes 100 color shades in four collections, Glass & Stone, Sun & Fire, Water & Moss and Earth & Wood – from cool white and sunny red to natural blue and earthy brown.

## Fabric collection

### *Collection Moments*

Fabrics are 100% acrylic, spinneret dyed, with a high degree of light fastness and durability, nano-based impregnation making the fabric dirt-repellent and water-repellent, tested for harmful substances in accordance with Öko-Tex standard 100. Web width 1200 mm. Weight of material approx. 300 g/m<sup>2</sup>.

## Planning tips and operating instructions

- In the case of buildings and high-rise structures which are exposed to high wind, the maximum dimensions should be reduced depending on the situation.
- The solar shading systems should be retracted if it is windy.
- The systems must not be operated if there is a risk of ice.
- The systems must be accessible for maintenance work.
- Observe the VSR data sheets.

For more information about our services and products, go to [www.griessergroup.com](http://www.griessergroup.com)



## Your partner

Subject to change without prior notice